



ENERMAX USA Corporation

17733 Rowland Street
City of Industry, CA 91748
Tel: (626)913-8899 Fax: (626)913-9988
<http://www.enermaxusa.com/>

P R E S S R E L E A S E

For immediate publication

MODU87+

PRO87+



The Time Has Come

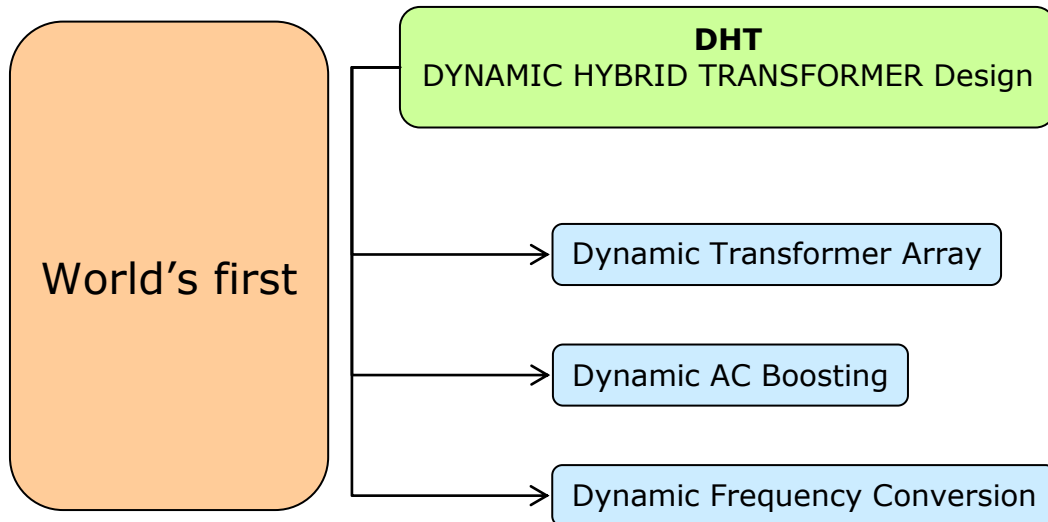
City of Industry, CA – January 12, 2010

ENERMAX is proud to announce the launch of two PSU series – “MODU87+” & “PRO87+”.

ENERMAX is stepping up to the need of energy and money-saving products with these two desktop PSU series from 500 up to 900 watts. MODU87+ is the modular cable series, while PRO87+ is native. Both will complement ENERMAX running 80+, 82+, and 85+ PSU series and incorporate the latest technologies with a major breakthrough:

DHT, Dynamic Hybrid Transformer Topology

Up to now, all manufacturers concentrated on the DC stage to improve the efficiency. But the technology used in the DC stage (during and after conversion of AC to DC) has come to the maximum, and achieving 87+ efficiency is the very limit of this approach. To achieve 87+ or even higher efficiency with good performance needs additional innovations on the AC stage. ENERMAX has invented three innovations bundled into the new DHT-topology:



The inventions center on the adoption of dynamic frequencies, voltages and conversion instead of traditional static ones. These dynamic optimization designs not only push the efficiency up to shocking 92%, but also improve stability and performance to new heights without sacrificing any safety or regulations. Moreover, the incorporation of a 13.9cm Twister bearing fan with the patented SpeedGuard fan control brings MODU87+ and PRO87+ to unprecedented silence @ 50°C.

[EMG700AWT](#) Available January 2010
[EPG600AWT](#) Available January 2010

MSRP US\$219
MSRP US\$159

Media contact: media@enermaxusa.com

©2010 ENERMAX Technology Corporation. All rights reserved. Specifications are subject to change without prior notice. Actual product and accessories may differ from illustrations. Omissions and printing errors excerpcted. Content of delivery might differ in different countries or areas. Some trademarks may be claimed as the property of others.